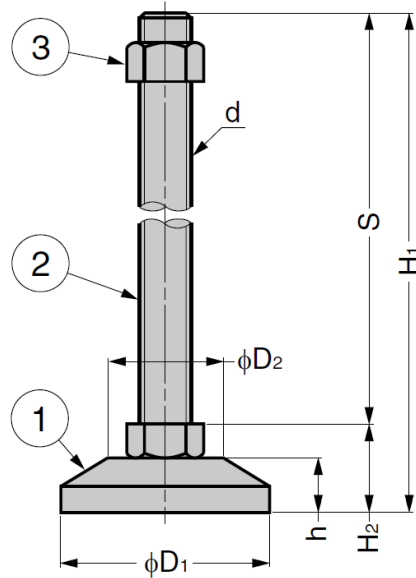
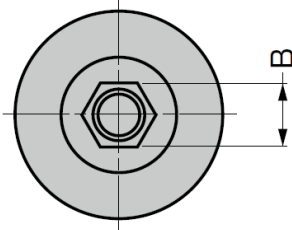
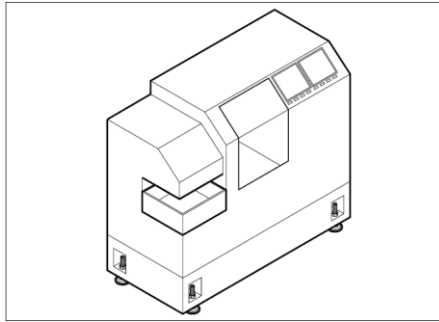


## GLB Long Bolt Levelling Glide

### Features

- Cross-recessed bottom allows easy installation with pneumatic screwdriver
- Made-to-order specifications and stainless steel types also available



No.	Part Name	Material	Finish
①	Body	Steel (FC)	Coloured Zinc Chromate (Trivalent)
②	Threaded Bolt	Steel (SS)	
③	Hex Nut		

Part No.	D <sub>1</sub>	D <sub>2</sub>	H <sub>1</sub>	H <sub>2</sub>	h	S	B	d	Load Capacity (per piece)
GLB12-200	60	40	225	25	17	200	19	M12	14,700 N 1,500 kg
GLB16-250	80	45	282	32	22	250	24	M16	19,600 N 2,000 kg
GLB16-300			332			300			
GLB16-350			382			350			
GLB20-250			285			30			
GLB20-300			335	300					
GLB20-350			385	350					
GLB20-400			435	400					
GLB24-280			317	37		280	36		